

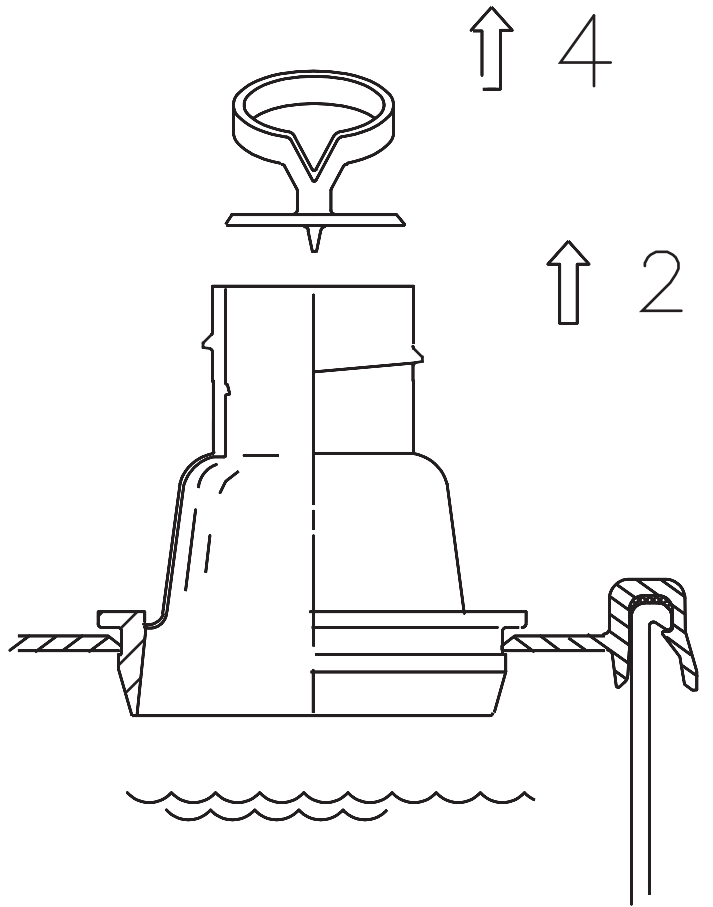
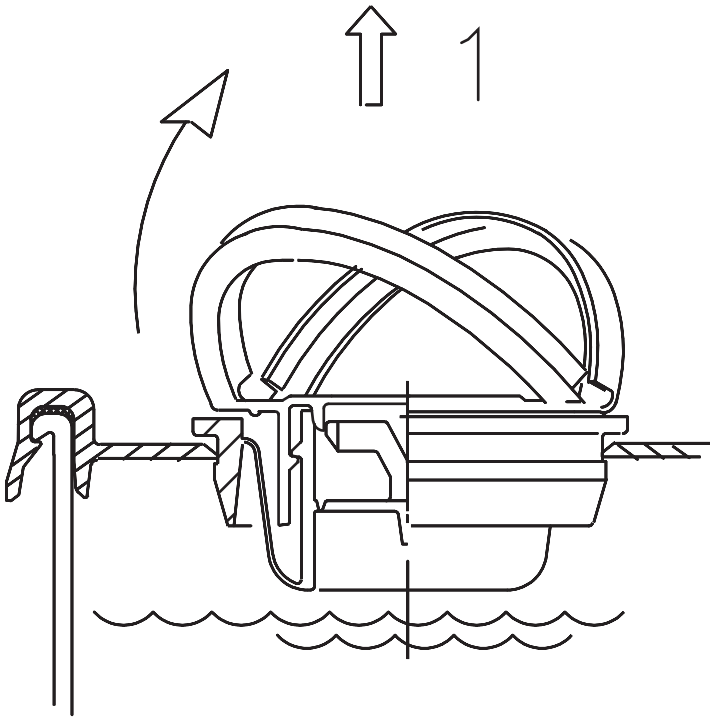
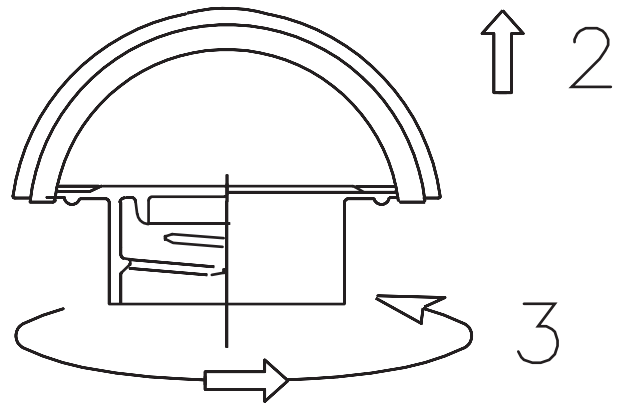
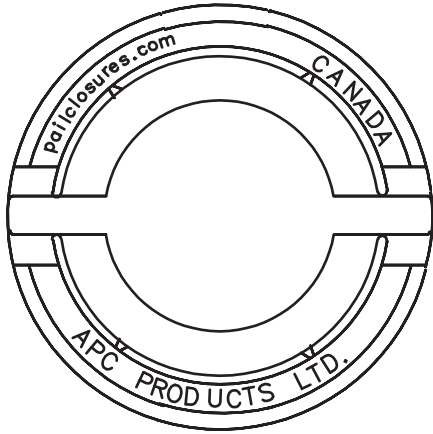
# APC Products Limited

www.pailclosures.com Tel: 905-457-0887 Fax:905-459-3983

## APC-3 PRODUCT SPECIFICATION 9-3

|                             |   |
|-----------------------------|---|
| <b>DESCRIPTION</b>          | <b>APC-3 PLASTIC PAIL CLOSURE</b>   |
| <b>PART NUMBERS</b>         | <b>APC- 3</b>   |
| <b>PART DRAWINGS</b>        | AD9-3.2 Rev 3      APC-3 Plastic Pail Closure<br>AD9-3.3 Rev 5      APC-3 Closure Assembly & Cover Opening  |
| <b>CLOSURE SIZE</b>         | 27 mm (1.0 inch) neck thread diameter<br>44 mm (1.8 inch) body height extended  |
| <b>COVER OPENING</b>        | 49 mm (1.93 inch) cover opening diameter<br>AD9-3.3 Rev 5      APC- 3 Closure Assembly & Cover Opening  |
| <b>CLOSURE WEIGHT</b>       | 15 Grams +/- 1  |
| <b>MATERIAL &amp; COLOR</b> | FDA approved virgin resins<br>CAP – high density polyethylene, white<br>BODY – EVA co-polymer low density polyethylene, natural   |
| <b>TAMPER EVIDENCE</b>      | CAP – 4 tabs must be broken to lift 2 bails<br>BODY – internal diaphragm with pull ring molded into spout   |
| <b>INSTALLATION</b>         | Press fit into warm or cold molded plastic covers<br>– sharply undercut recess molded into closure for better fit and hold<br>– no welding or secondary operations required |
| <b>PERFORMANCE *</b>        | Hydrostatic leak test target: 30 cm (12 inch) water column for 1 hour   |
| <b>APPLICATION *</b>        | The closure is designed for packaging edible oils and similar non-hazardous products in plastic pails. Do not use for hot fill applications.                                |
| <b>CONTROL OF CHANGE</b>    | Specifications are subject to change. APC-3 buyers on record will be notified.  |

\* These product specifications are intended as a guide only. Closures are manufactured under a TS16949 quality program. Sample closures are available for product testing. It is the responsibility of the buyer and filler to ensure the closure meets the product compatibility and performance requirements for both regulated and non-regulated packaging applications.

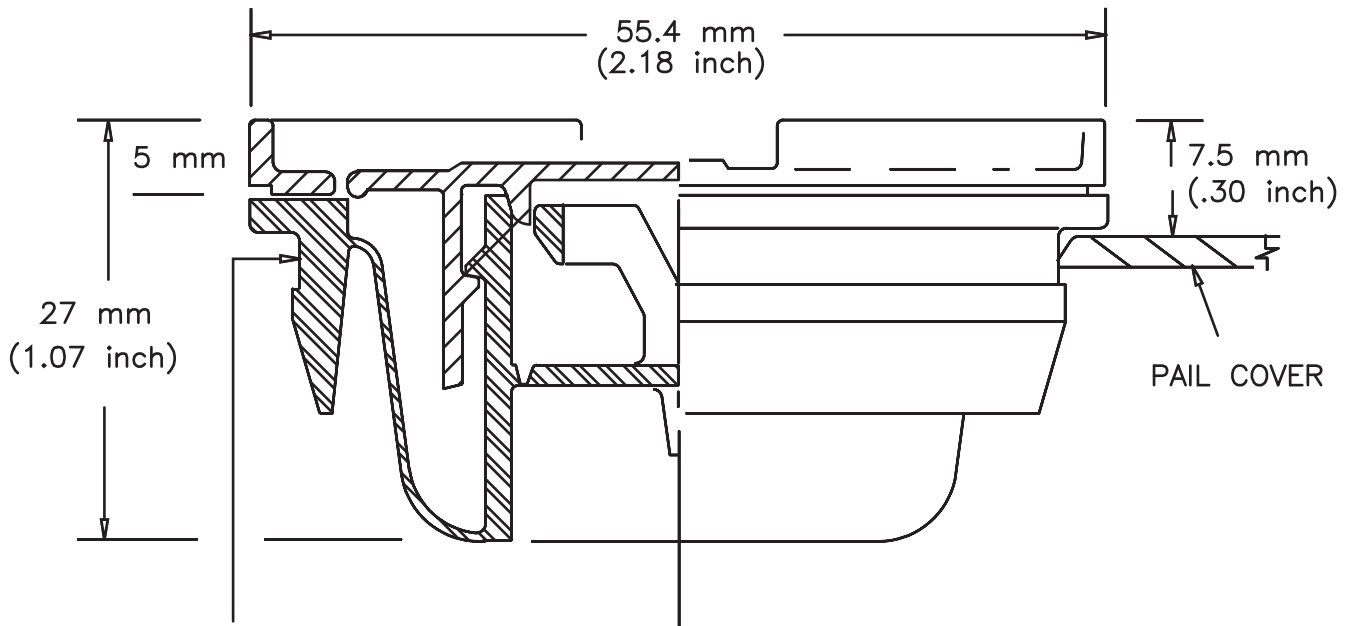


|                                     |
|-------------------------------------|
| REV 3 11-05 TALLER CAP BAILS        |
| REV 2 REMOVE TABS FROM BAILS        |
| REV1 5-97 ADD EXHIBIT NO & REVISION |

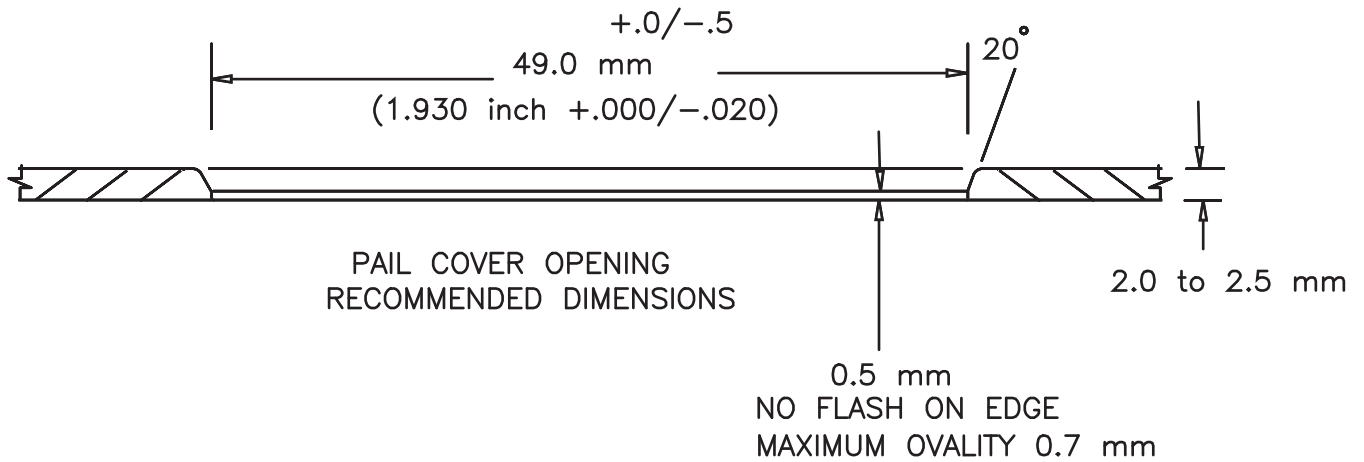
|                            |                      |
|----------------------------|----------------------|
| APC Products Limited       |                      |
| CANADA                     | www.pailclosures.com |
| APC-3 PLASTIC PAIL CLOSURE |                      |

EXHIBIT 9-3.2      DRAWN BY R. STURK

SCALE 1:1      DRAWING AD9-3.2



50 mm  $+0.5/-0.1$   
 (1.970 inch  $+0.020/-0.005$ )  
 SEAL DIAMETER



PAIL COVER OPENING  
 RECOMMENDED DIMENSIONS

0.5 mm  
 NO FLASH ON EDGE  
 MAXIMUM OVALITY 0.7 mm

REV 5 12-05 TALLER CAP BAIL, L SHAPED

REV 4 1-04 REMOVED TABS FROM CAP BAILS

REV 3 5-99 CHANGE BODY SKIRT ANGLE TO 12 DEGREES FOR EASIER INSERTION

REV 2 6-98 INCREASE BODY FLANGE DIAMETER TO 56 mm

REV 1 5-97 ADDED EXHIBIT No. AND REVISION LEVEL

APC Products Limited  
 CANADA [www.pailclosures.com](http://www.pailclosures.com)

APC-3 CLOSURE ASSEMBLY  
 & COVER OPENING

EXHIBIT 9-3.3 DRAWN BY R. STURK

SCALE 2:1

DRAWING

AD9-3.3