

# APC Products Limited

www.pailclosures.com

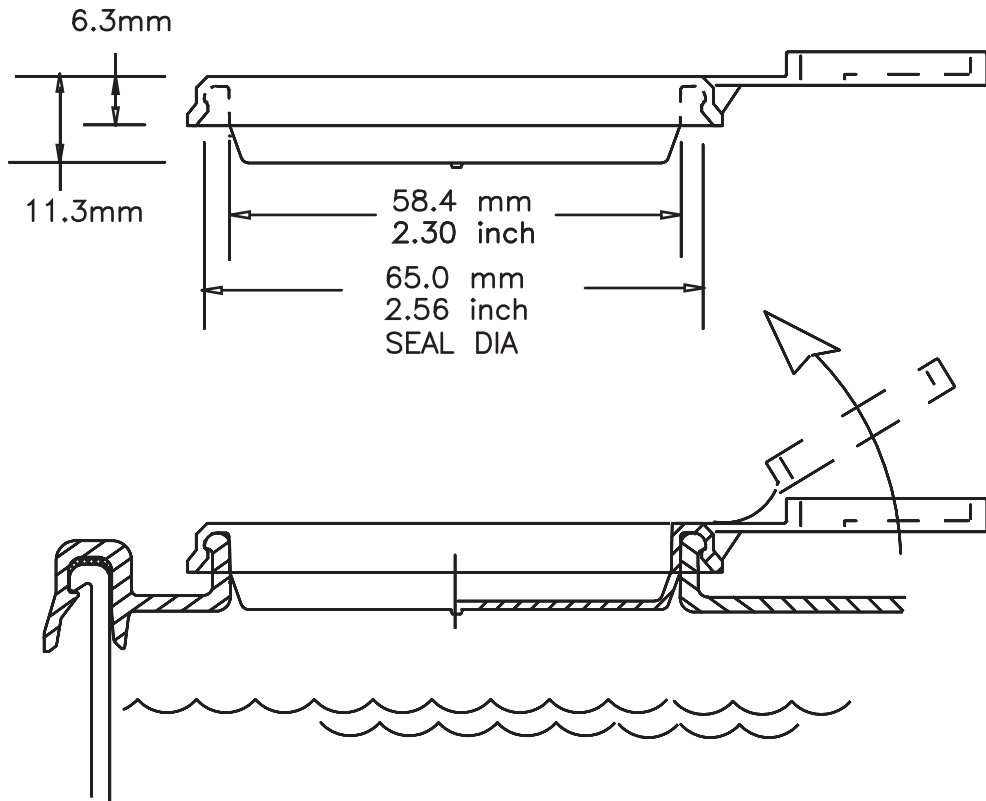
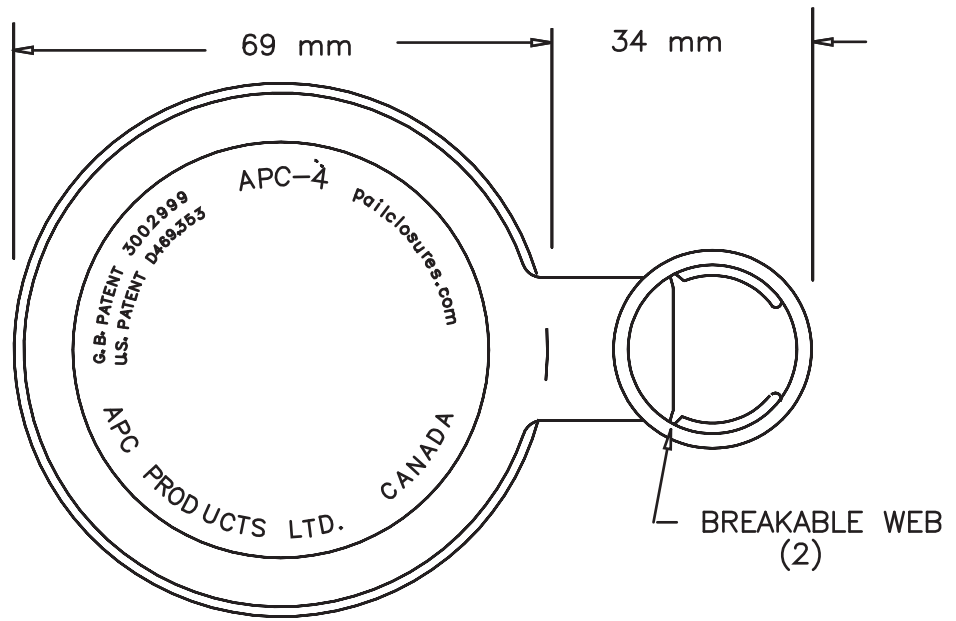
Tel: 905-457-0887

Fax: 905-459-3983

## APC-4 PRODUCT SPECIFICATION 9-4

<b>DESCRIPTION</b>	<b>APC-4 PLASTIC PAINT CAP</b>
<b>PART NUMBERS</b>	APC- 4
<b>PART DRAWINGS</b>	AD9-4.1 Rev 2      APC- 4 Paint Cap AD9-2.4 Rev 3      APC-1, APC-2 & APC-4 Cover Opening AD9-4.5 Rev 0      APC- 4 Paint Cap Sales Brochure
<b>CLOSURE SIZE</b>	69 mm (2.72 inch) outside diameter 34 mm (1.38 inch) long handle 11.3 mm (0.47 inch) thick
<b>COVER OPENING</b>	AD9-2.3 Rev 5      APC-1 & 2 Closure Assembly & Cover Opening
<b>CLOSURE WEIGHT</b>	9 Grams +/- 1
<b>MATERIAL &amp; COLOR</b>	Virgin resins, 50% LLDPE, 47% LDPE, 3% EVA Natural color
<b>TAMPER EVIDENCE</b>	Look for evidence of paint outside of seal perimeter.
<b>INSTALLATION</b>	Use installation press with APC-4 adapter plate to press fit into warm or cold molded plastic covers. To remove, insert finger through pull ring and lift. Reinstall by hand (after adding paint tint) by pressing until snap fit is felt.
<b>PERFORMANCE *</b>	Hydrostatic leak test target: 20 kPa (3 psi) water for 5 minutes
<b>APPLICATION *</b>	The closure is designed for latex paint and similar non-hazardous products in plastic pails. Do not use for hot fill or UN Packing Group applications.
<b>CONTROL OF CHANGE</b>	Specifications are subject to change. APC-4 buyers on record will be notified.

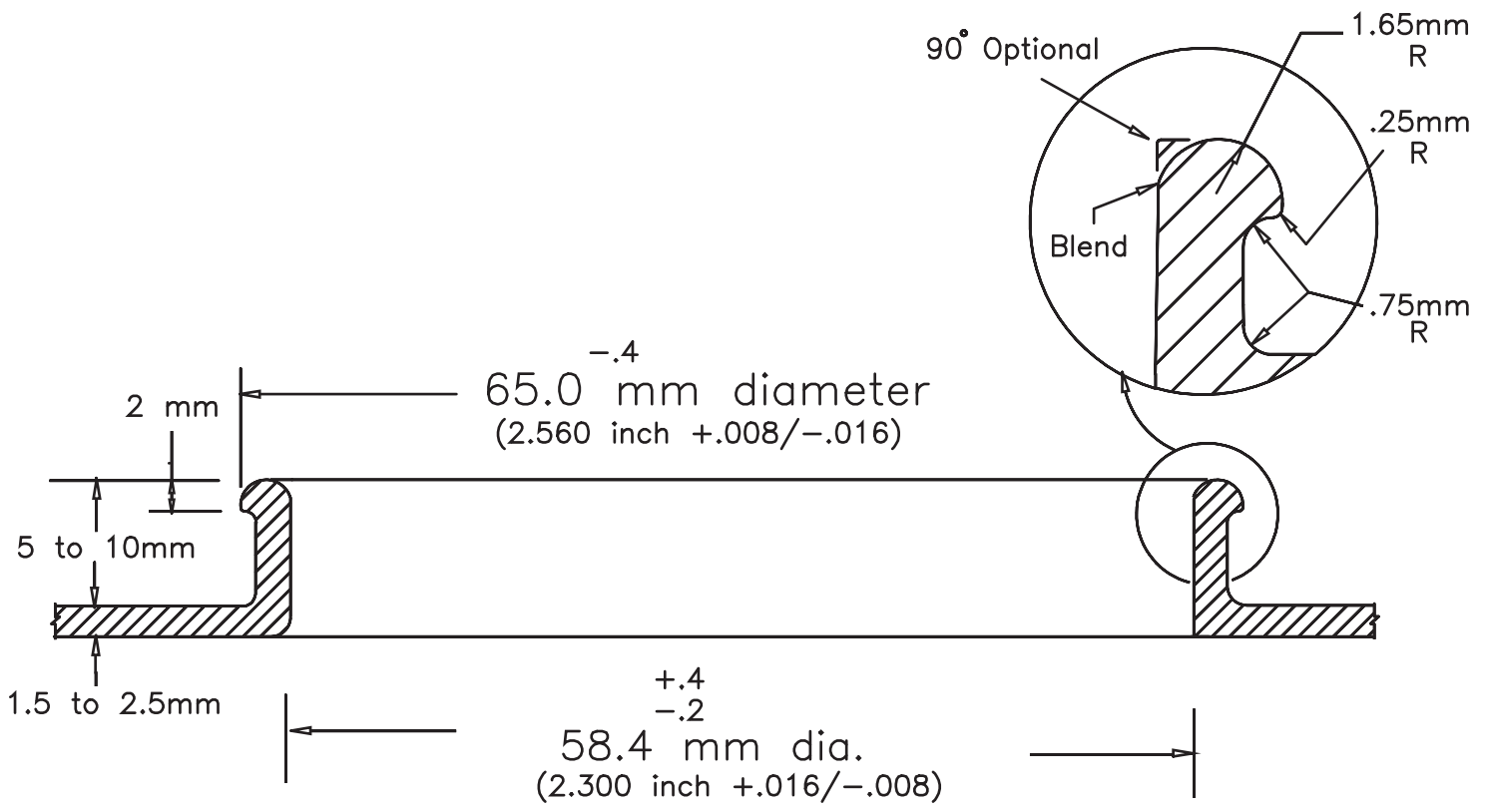
\* These product specifications are intended as a guide only. Closures are manufactured under a TS16949 quality program. Sample closures are available for product testing. It is the responsibility of the buyer and filler to ensure the closure meets the product compatibility and performance requirements for both regulated and non-regulated packaging applications.



SEE DRAWING AD9-4.2 FOR DIMENSIONS  
ON COVER OPENING

US Patent D469,353 S  
US Patent D475,925 S  
GB Design 3002999

		APC Products Limited	
		CANADA	www.pailclosures.com
REV 2 7-07	CHANGED DRAWING NUMBER FROM AD9-4.5 TO AD9-4.1	APC-4 PLASTIC PAINT CAP	
REV 1 11-03	ADDED PATENT NUMBERS		
REV 0 7-02	DRAWING ISSUED		
EXHIBIT 9-4.1	DRAWN BY R. STURK	SCALE 1:1	DRAWING AD9-4.1



NOTE: MAXIMUM OVALITY = 2 mm

		APC Products Limited CANADA      www.pailclosures.com	
REV 3	ISSUED NEW COVER OPENING	APC-1, APC-2 & APC-4 COVER OPENING	
7-07	DRAWING		
REV 2	INCREASE MAX. OVALITY	SCALE 2:1      DRAWING AD9-2.4	
1-99	ADDED NOTE ON BEAD HEIGHT		
EXHIBIT 9-2.4	DRAWN BY R. STURK		