

APC Products Limited

www.pailclosures.com Tel: 905-457-0887 Fax:905-459-3983

APC-6 PRODUCT SPECIFICATION 9-6

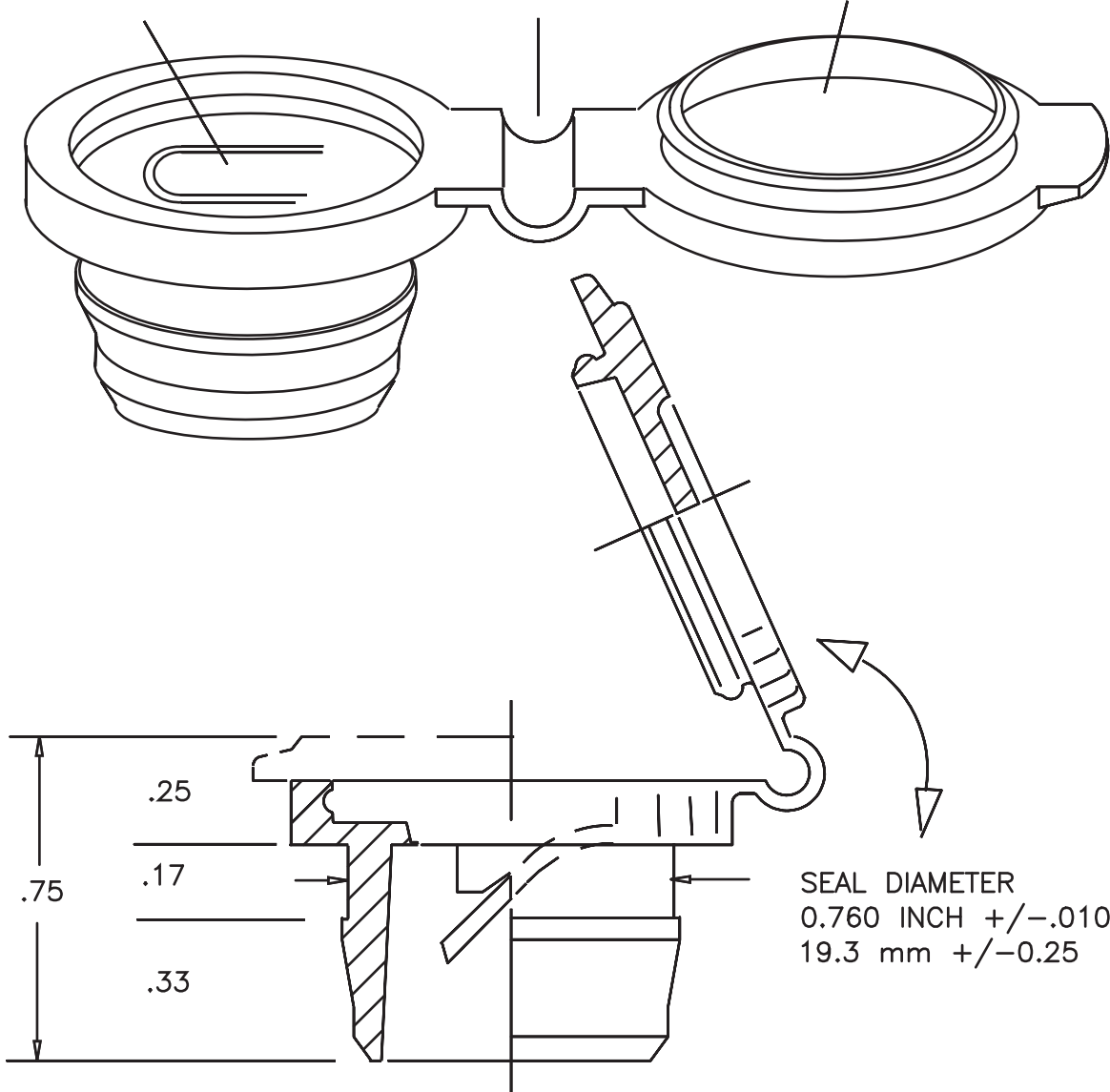
DESCRIPTION	APC-6 PLUG VENT PAIL CLOSURE
PART NUMBERS	APC- 6
PART DRAWINGS	AD9-6.1 Rev 2 APC-6 Plug Vent & Cover Opening
CLOSURE SIZE	0.760 inch +/- 0.010 inch seal diameter 19.3 mm +/- 0.25 mm seal diameter
COVER OPENING	0.715 inch +/- 0.005 inch seal diameter 18.2 mm +/- 0.25 mm seal diameter AD9-6.1 Rev 2 APC-6 Plug Vent & Cover Opening
CLOSURE WEIGHT	4 grams +/- 1
MATERIAL & COLOR	FDA approved virgin resin EVA co-polymer LDPE, natural
TAMPER EVIDENCE	Open hinged cap. Press down on inner tab to break open air vent. Reseal cap after dispensing liquid.
INSTALLATION	Press to fit onto warm or cold molded plastic covers
PERFORMANCE *	Hydrostatic leak test target: 20 kPa (3 psi) water for 5 minutes
APPLICATION *	For faster and smoother dispensing of petroleum lubricants and other viscous liquids, in particular at low temperature. Use in combination with APC-2 pail closures. Air enters through the plug vent as liquid exits through the pail spout.
CONTROL OF CHANGE	Specifications are subject to change. APC-6 buyers on record will be notified.

* These product specifications are intended as a guide only. Closures are manufactured under a TS16949 quality program. Sample closures are available for product testing. It is the responsibility of the buyer and filler to ensure the closure meets the product compatibility and performance requirements for both regulated and non-regulated packaging applications.

BREAKABLE AIR VENT

HINGE

RE-SEALABLE CAP



REV 2	REDUCE HEIGHT ABOVE COVER
2/06	FROM 0.40 TO 0.25 INCH

REV 1	ADD 0.050 TAPERED EDGE
1/05	

REV 0	ISSUED NEW APC-6 PLUG VENT
8/04	

APC Products Limited

CANADA

www.pailclosures.com

APC-6 PLUG VENT
& COVER OPENING

EXHIBIT 9-6.1

DRAWN BY R. STURK

SCALE 2.3:1

DRAWING

AD9-6.1